

PC5500-11 Excavator



Safety



Reliability



Productivity



If you're looking for a workhorse excavator you can count on, consider the twin-engine PC5500. Offering a combination of robust construction, choice of diesel motors or electric drives, and advanced technology, the PC5500.

Operating capacities

	Front shovel	Backhoe
Operating weight	537 MT	542 MT
Standard bucket configuration	29 m ³ (38 yd ³)	
Engine power	1,880 kW (2,521 HP)	
Truck compatibility	150 short tons - 240 short tons	
Swing speed	3.1 rpm	
Boom length	7 600 mm	11 000 mm
Stick length	5 600 mm	5 100 mm
Breakout force	1 870 kN	1 516 kN
Crowd force/*tear-out force	1 850 kN	*1 326 kN
Tier 4 option	Yes	Yes
Electric drive option	as -6 version	as -6 version

PC5500-11

Diesel drive

Model (Tier 4)	Komatsu SDA12V159E-3
Type	4-cycle, water-cooled, direct injection
Aspiration	Turbocharged and aftercooled
Number of cylinders	12
Engines amount	2
Rated power per engine	940 kW (1,260 HP) @ 1800 rpm
Governor	All-speed, electronic
DEF tank capacity (tier 4)	2 x 514 L (2 x 136 gal)

Electric drive

Type	Asynchronous motor
E-drive availability-11	Not available
Engines amount	2
Rated power per engine	940 kW (1,223 HP) @ 1800 rpm
Voltage	6 000-7 200 V
Amperage (approx.)	2x 155 A-2x 80 A
Frequency standard	60 Hz @ 1800 rpm
Frequency option	50 Hz @ 1500 rpm

Electric system

System	24 V
Batteries	8x12 V
Alternator	2x140 A
Standard working lights (amount)	14 LED lights
Standard service lights	Throughout the platform including emergency egresses and stairways

Undercarriage

Track adjustment	Automatic hydraulic type
Number of track shoes each side	46
Number of top rollers each side	3
Number of bottom rollers each side	7

Travel and brake systems

Gradeability	Up to 50%
Travel speed (max)	2.1 km/h (1.4 mph)
Service brake	Hydraulic brake
Parking brake	Multiple brake

Swing system

Hydraulic motors and swing gears	2
Swing brake, dynamic	Hydraulic brake
Swing brake, parking	Multiple-disc
Swing ring teeth	External
Swing speed (max)	3.1 rpm

Environment

Hand-lever (ISO 5349-1)	Lower than 2.5 m/s ²
Whole body vibration and shock (ISO 2631-1)	Below 0.5 m/s ²
Greenhouse gas	HFC-134a (GWP 1430)
PC5500-11 D quantity of gas	5.5-10.0 kg
PC5500-11 D CO ₂ equivalent	7.856-14.300 t
PC5500-11 E quantity of gas	7.9-12.4 kg
PC5500-11 E CO ₂ equivalent	11.297-17.732 t

Hydraulic system

Description	
The power train consists of two main drives. Each of the two gearboxes drives three identical main pumps which draw hydraulic oil from an unpressurized hydraulic tank. Open circuit hydraulics provide maximum cooling and filtering efficiency.	
Main hydraulic pumps	Komatsu
Main hydraulic pumps	4 200 L/min (1,110 gpm)
Relief valve setting	310 bar (4,495 psi)
Swing flow rate	700 L/min (185 gpm)
High pressure screens	200 microns
Flow description	

The four-circuit systems feature a load-limiting governor with oil delivery summation to the working circuits and incorporates pressure cut-off control. Hydropilot prioritises hydraulic flow giving smooth hydraulic response, simple hydraulic system layout, and a reduced number of components. The hydraulic system includes large swing-out vertical air-to-oil hydraulic coolers with temperature-regulated hydraulically driven fans.

Automatic lubrication system

Description	
Three hydraulically powered Lincoln single line automatic lubrication systems are provided as standard, complete with time and volume variable controls. The two central lubrication circuits and open gear grease circuit are supplied by identical pump assemblies from refillable containers which have a capacity of 1x 600 and 1x 300 L (total 238 gal). Replenishment of the containers is through the Wiggins connections on the service arm.	

Capacities

Hydraulic oil tank	3 715 L (982 US gal)
Hydraulic system	6 000 L (1,585 US gal)
Fuel tank - usable volume including reserve	10 626 L (2,807 US gal)
Fuel tank - reserve	271 L (71.6 US gal)
Engine coolant	720 L (2x 95 US gal)
Engine oil	380 L (2x 50 US gal)
Lubrication system (total)	900 L (238 US gal)

Operator cab

Damping pads (amount)	Enclosed steel cab mounted on viscous pads
AC System	Air-condition unit
Suspension of seat	Full suspension operator seat with belt
Heating of seat	Electrically heated
Seat belt	Trainer seat with belt
Adjustments of seat	Multiple adjustments
Joystick controls	Electro-hydraulic joystick controls
Foot controls	Foot control for shovel clam, crawler and swing brake
Radio version	AM-FM radio with MP3 ready CD player and AUX in
Windshield washers	1 large parallel windshield wash wiper
Windshield washer speed	Two speeds and intermittent operation
Additional mirrors	2 heated rear mirrors
Sun blinds	Internal and external
Roller blinds	Standard on all windows (excluding rear door)
Sliding window	ESG escape window, VSG according to ECE R43
Window tinting	Parsol green
Penetration proof windows	Impact resistant front window (21 mm and tolerances)
Walkway	Walkway around the cab
Engineering standards	ISO 3449, ISO 6394, ISO 10263-4 TL: EN474-1, EN 474-5, DIN 15018, BR2-S DIN EN 1063, ECE R43, ISO 10262

Komtrax plus

Version	Komtrax Plus Upgrade
Description	The KOMTRAX Plus monitoring system is designed for Komatsu mining equipment to provide real time and stored information about the operating status of the machine. Fault messages are immediately available to the operator via a digital display and in the event of critical malfunctions the engine is also shut down. The digital storage provides failure summary and analysis, which can be down loaded by laptop computer. This data will assist in predicting or reduction downtime. Optionally available is ORBCOMM and Iridium satellite transmission (check for availability in your territory).
Argus PLM ready	Yes

Front shovel attachment

Boom length	7 600 mm (24.9 ft.)
Stick length	5 600 mm (18.4 ft.)
Break-out force (ISO)	1 870 kN (420,393 lbf.)
Crowd force (ISO)	1 850 kN (415,897 lbf.)
Max cutting height	19 820 mm (65.0 ft.)
Max dumping height	13 100 mm (43.0 ft.)
Max digging depth	2 980 mm (9.8 ft.)
Max digging reach	16 750 mm (55.0 ft.)
Level crowd at ground level	5 680 mm (18.6 ft.)
Bucket opening width	2 790 mm (9.2 ft.)

Front shovel capacities

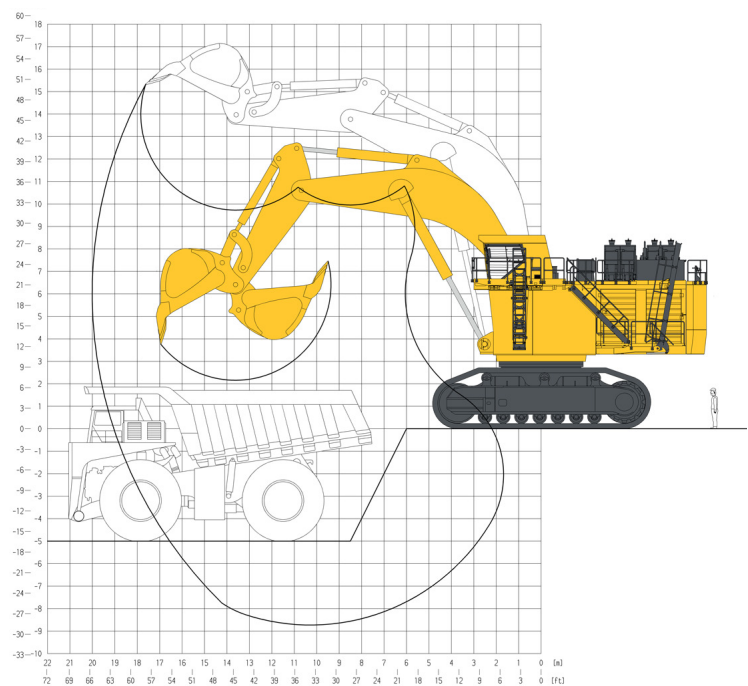
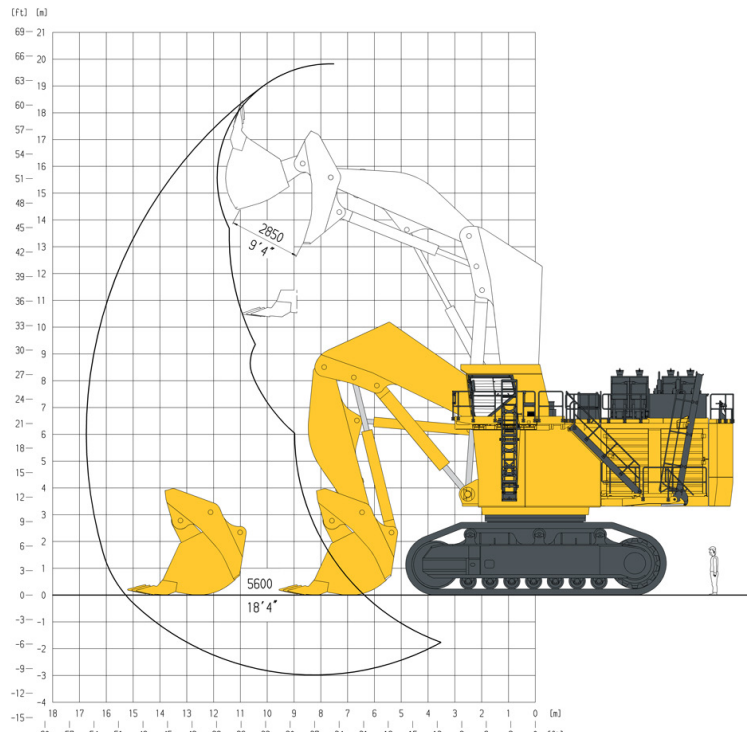
29 m ³ (standard)	29 m ³ (37.9 yd ³)
Width	4 816 mm (15.8 ft.)
Teeth	6
Wear package	Heavy duty
GET system	Hensley XS 644* *(further systems on request)
Max material density	1.8 t/m ³ (3,034 lb/yd ³)

Backhoe attachment

Boom	11 000 mm (36.1 ft.)
Stick	5 100 mm (16.7 ft.)
Break-out force (ISO)	1 516 kN (340,810 lbf.)
Tear-out force (ISO)	1 326 kN (298,097 lbf.)
Max digging height	15 330 mm (50.3 ft.)
Max dumping height	9 730 mm (31.9 ft.)
Max digging depth	8 720 mm (28.6 ft.)
Max digging reach	20 000 mm (65.6 ft.)
Max digging reach at ground level	19 050 mm (62.5 ft.)

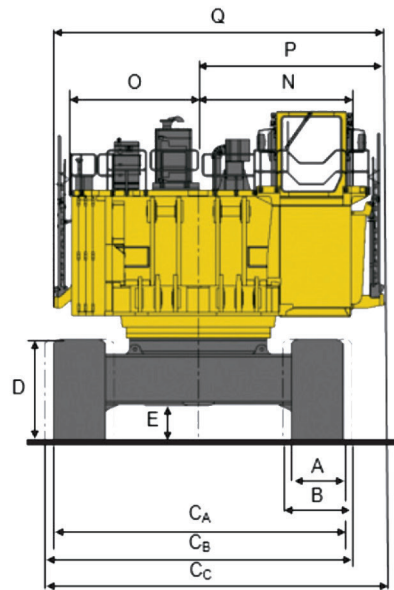
Backhoe capacities

29 m ³ (standard)	29 m ³ (37.9 yd ³)
Width	4 661 mm (15.3 ft.)
Teeth	5
Wear package	Heavy duty
GET system	Hensley XS 644* *(further systems on request)
Max material density	1.8 t/m ³ (3,034 lb/yd ³)



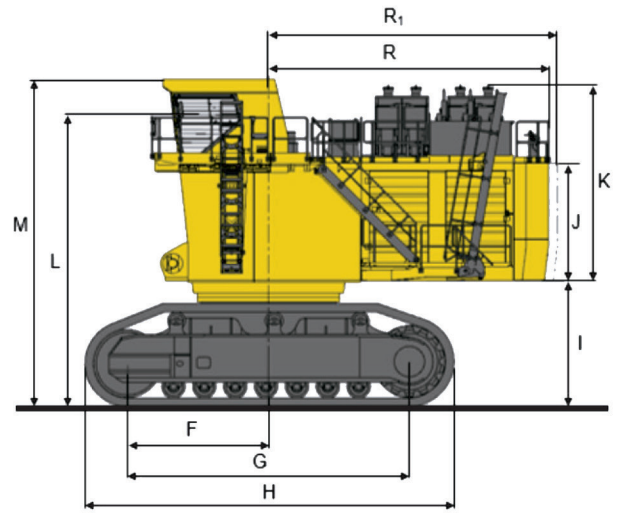
Dimensions

A	1 350 mm (4 ft. 5 in)
B	1 800 mm (5 ft. 11 in)
C _A	7 540 mm (24 ft. 9 in)
C _B	7 990 mm (27 ft. 9 in)
C _C	8 842 mm (26 ft. 3 in)
D	2 715 mm (8 ft. 11 in)
E	995 mm (3 ft. 3 in)
F	3 712 mm (12 ft. 2 in)
G	7 424 mm (24 ft. 4 in)
H	9 720 mm (31 ft. 11 in)
I	3 325 mm (10 ft. 11 in)
J	3 100 mm (10 ft. 2 in)
K	5 160 mm (16 ft. 11 in)
L	7 884 mm (25 ft. 10 in)
M	8 620 mm (28 ft. 3 in)
N	3 970 mm (13 ft.)
O	3 330 mm (10 ft. 11 in)
P	4 847 mm (15 ft. 11 in)
Q	8 630 mm (28 ft. 4 in)
R	7 370 mm (24 ft. 2 in)
R ₁	7 600 mm (24 ft. 11 in)



Front shovel operating weights

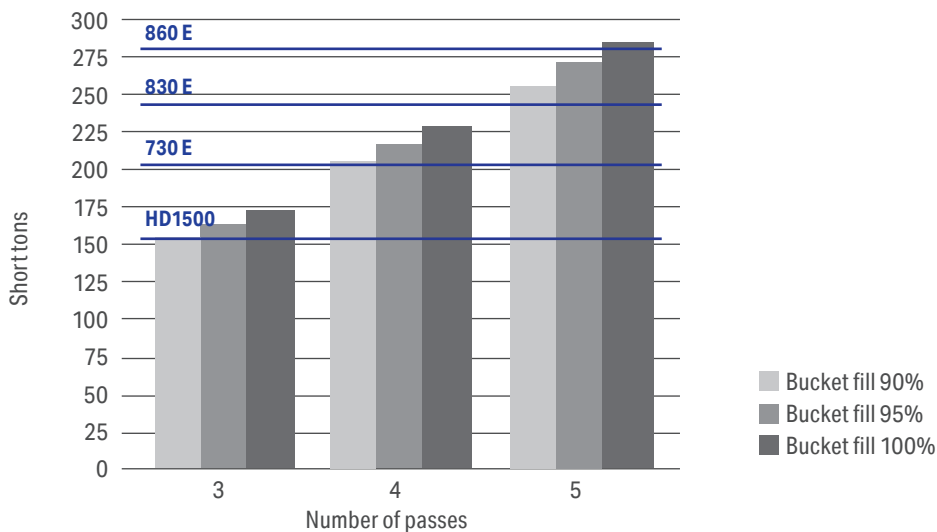
Boom dimensions	7 600 mm (24 ft. 1 in)
Stick dimensions	5 600 mm (18 ft. 4 in)
Standard bucket	29 m ³ (38 yd ³)
Shoe width and weight (1 350 mm)	1 350 mm (53 ft.)
Ground pressure	23.7 N/cm ² (34.4 psi)
Operating weight	537 MT (1,183,882 lbs.)
Shoe width and weight (1 800 mm)	1 800 mm (71 ft.)
Ground pressure	18.3 N/cm ² (26.5 psi)
Operating weight	551 MT (1,214,747 lbs.)



Backhoe operating weights

Boom dimensions	11 000 mm (36 ft. 1 in)
Stick dimensions	5 100 mm (16 ft. 9 in)
Standard bucket	29 m ³ (38 yd ³)
Shoe width and weight (1 500 mm)	1 350 mm (53 ft.)
Ground pressure	23.9 N/cm ² (34.7 psi)
Operating weight	542 MT (1,194,905 lbs.)
Shoe width and weight (1 900 mm)	1 800 mm (71 ft.)
Ground pressure	18.4 N/cm ² (26.7 psi)
Operating weight	556 MT (1,222,577 lbs.)

PC5500-11 Truck shovel match



Product designs, specifications and/or data in this document are provided for informational purposes only and are not warranties of any kind. Product designs and/or specifications may be changed at any time without notice. The only warranties that apply to sales of products and services are Komatsu's standard written warranties, which will be furnished upon request.

Komatsu and other trademarks and service marks used herein are the property of Komatsu Ltd., Komatsu America Corp., Komatsu Mining Corp. Komatsu Germany, or one of their affiliates, or the respective owners or licensees.

KOMATSU

komatsu-mining.de

